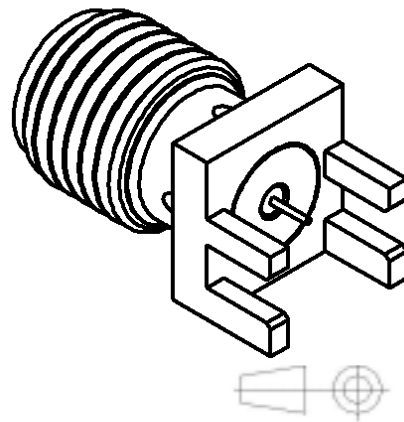
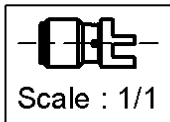
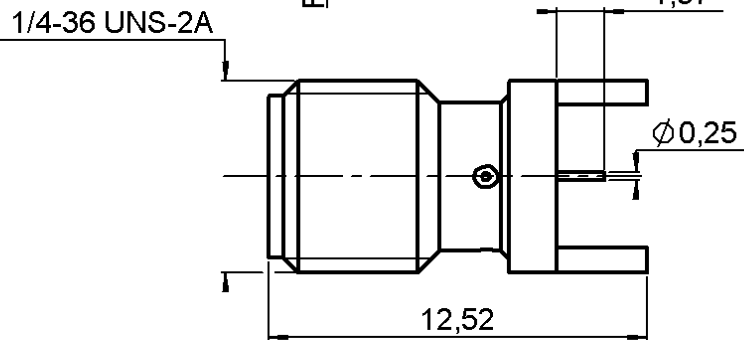
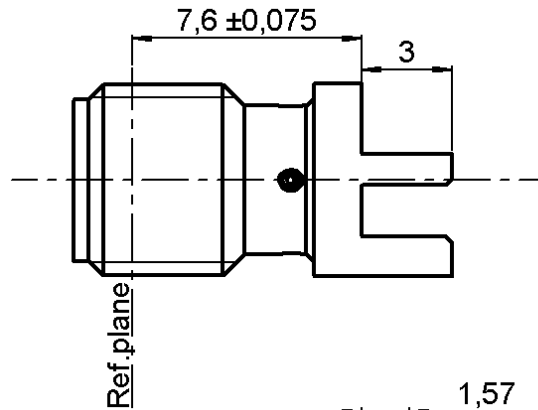
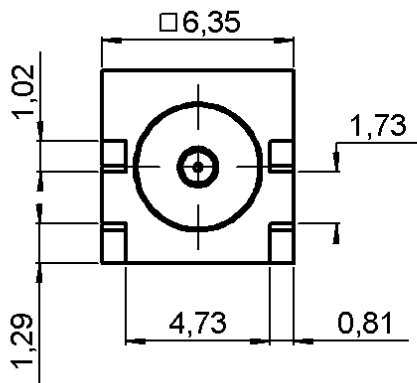


STRAIGHT JACK RECEPTACLE FOR PCB

R124.423.243

SMT TYPE - EDGE CARD.

Series : SMA-COM



All dimensions are in mm.

COMPONENTS	MATERIALS	PLATINGS (µm)
BODY	BRASS	GOLD 0.2 OVER NICKEL 2
CENTER CONTACT	BERYLLIUM COPPER	GOLD 0.5 OVER NICKEL 2
OUTER CONTACT	-	-
INSULATOR	PTFE	-
GASKET	-	-
OTHERS PARTS	-	-
-	-	-
-	-	-
-	-	-

Issue : 0339 A

In the effort to improve our products, we reserve the right to make changes judged to be necessary.



STRAIGHT JACK RECEPTACLE FOR PCB

R124.423.243

SMT TYPE - EDGE CARD.

Series : SMA-COM

PACKAGING

SPECIFICATION

Standard	Unit	Other
100	'W' option	Contact us

ELECTRICAL CHARACTERISTICS

ENVIRONMENTAL

Impedance		50 Ω
Frequency		0-18 GHz
VSWR	1.14 +	0.000 x F(GHz) Maxi
Insertion loss		0.05 √F(GHz) dB Maxi
RF leakage	- (100 - F(GHz)) dB Maxi
Voltage rating		500 Veff Maxi
Dielectric withstanding voltage		1000 Veff mini
Insulation resistance		5000 MΩ mini

Operating temperature	-65/+165 ° C
Hermetic seal	NA Atm.cm3/s
Panel leakage	NA

OTHERS CHARACTERISTICS

Assembly instruction **NA**

Others :
-

MECHANICAL CHARACTERISTICS

Center contact retention	
Axial force – Mating end	27 N mini
Axial force – Opposite end	27 N mini
Torque	2.8 N.cm mini
Recommended torque	
Mating	NA N.cm
Panel nut	NA N.cm
Mating life	100 Cycles mini
Weight	1.300 g

Issue : 0339 A

In the effort to improve our products, we reserve the right to make changes judged to be necessary.



STRAIGHT JACK RECEPTACLE FOR PCB

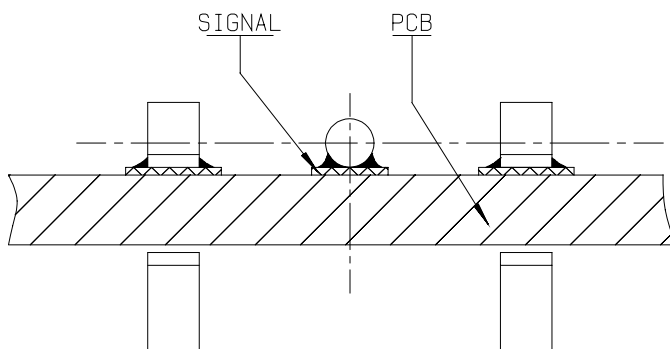
R124.423.243

SMT TYPE - EDGE CARD.

Series : SMA-COM

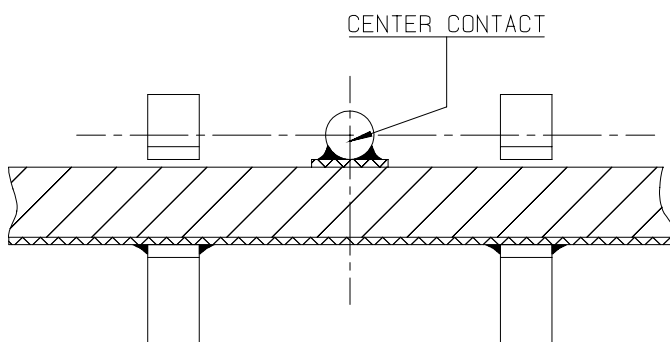
MOUNTING TYPE

This type of connector is adapted to one specific PCB thickness. It can be used with different ways of transmission.



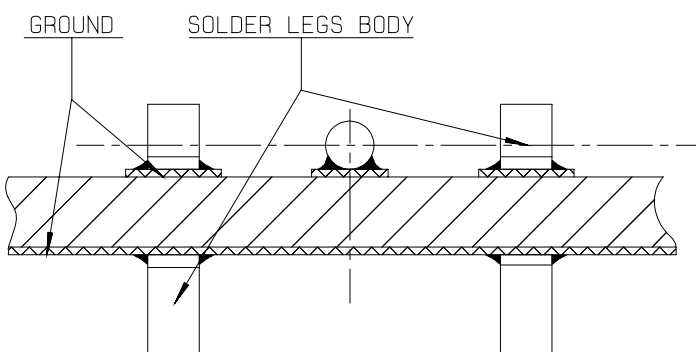
1 COPLANAR LINE

Signal and ground are coplanar.



2 MICROSTRIP LINE

Signal and ground are opposite.



3 Coplanar and opposite grounds.

Solution **3** features a stronger mechanical retention on the PCB because the 4 leads are soldered.

Issue : 0339 A

In the effort to improve our products, we reserve the right to make changes judged to be necessary.



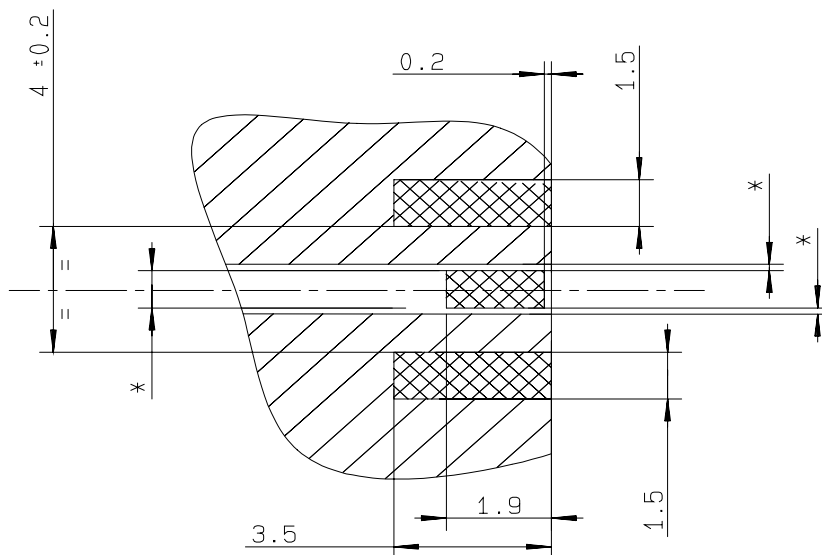
STRAIGHT JACK RECEPTACLE FOR PCB

R124.423.243

SMT TYPE - EDGE CARD.

Series : SMA-COM

DIMENSIONS



*Parameters flagged by a star must be defined dimensionally regarding the thickness of the PCB and the transmission way these parameters could be measured by RADIALL if requested.

COPLANAR LINE

Pattern and signal are on the same side
 The material of PCB is the epoxy resin of glass fabrics bacs. (Er = 4.8)
 The solder resist should be printed except for the land pattern on the PCB.

 Pattern

 Land for solder paste

Issue : 0339 A

In the effort to improve our products, we reserve the right to make changes judged to be necessary.

